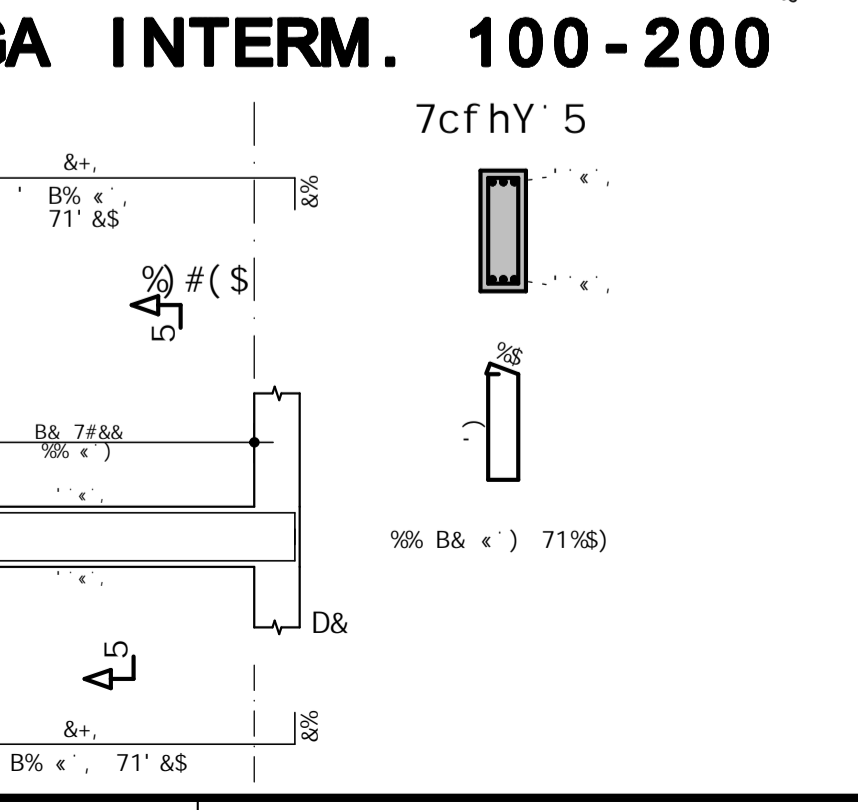
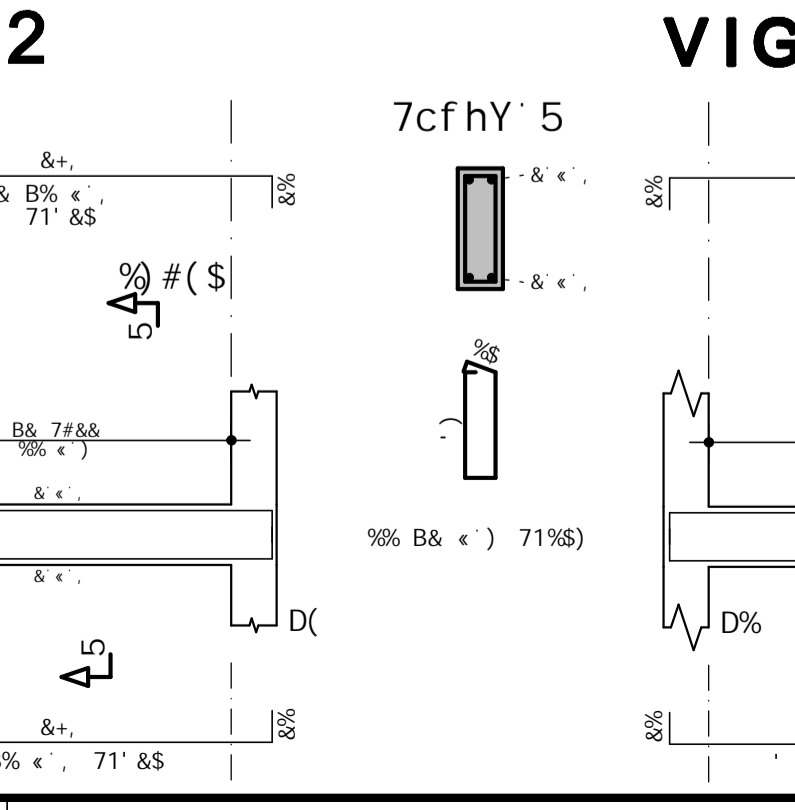
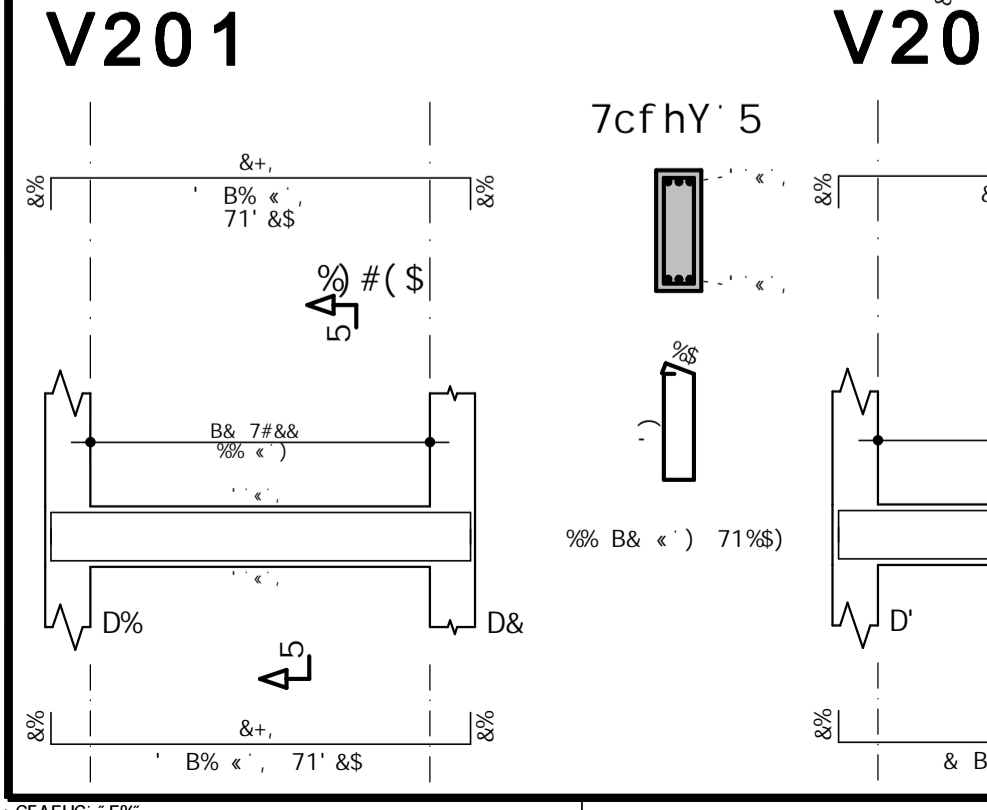
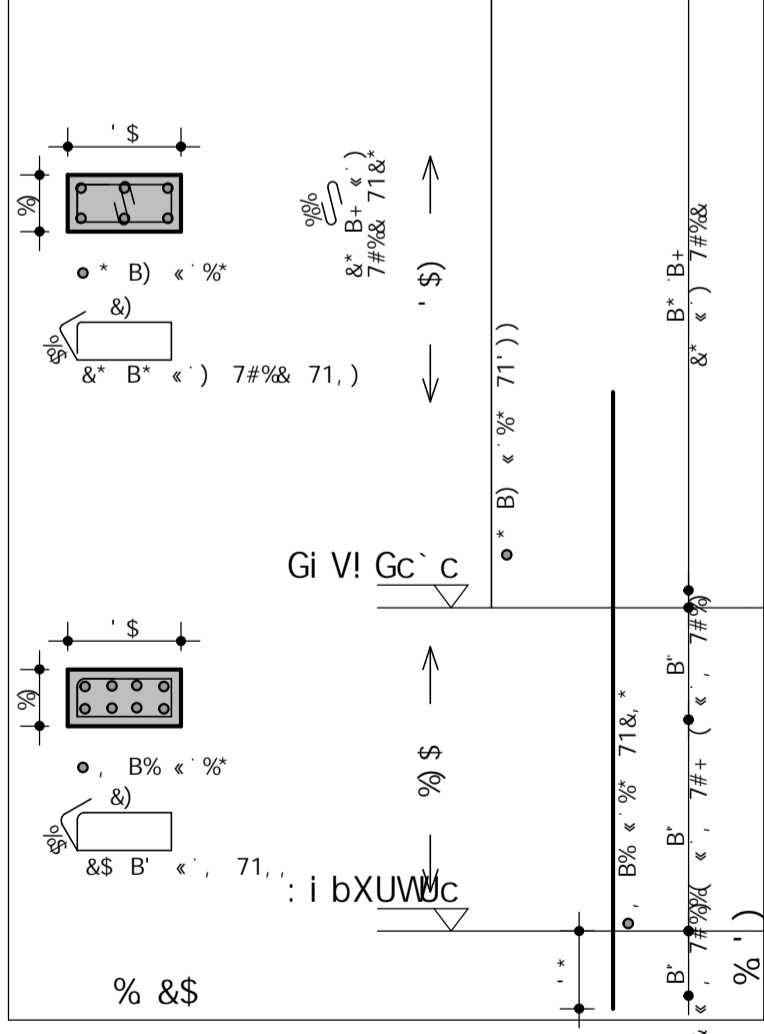
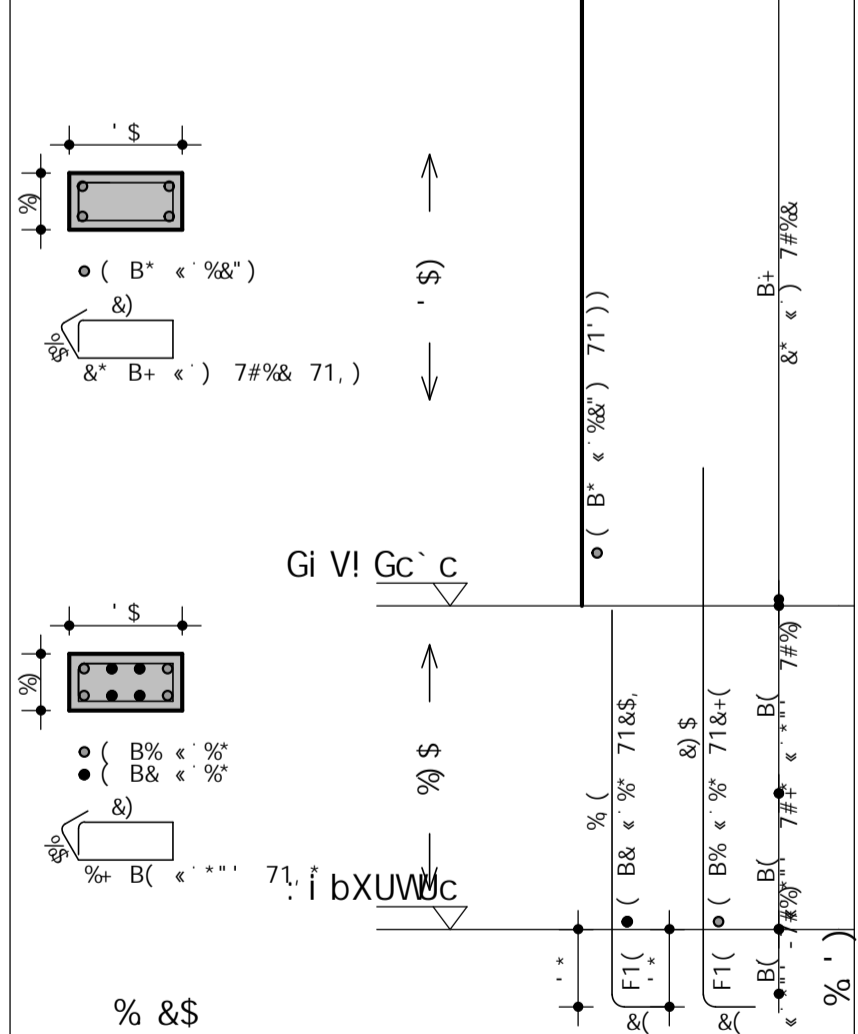
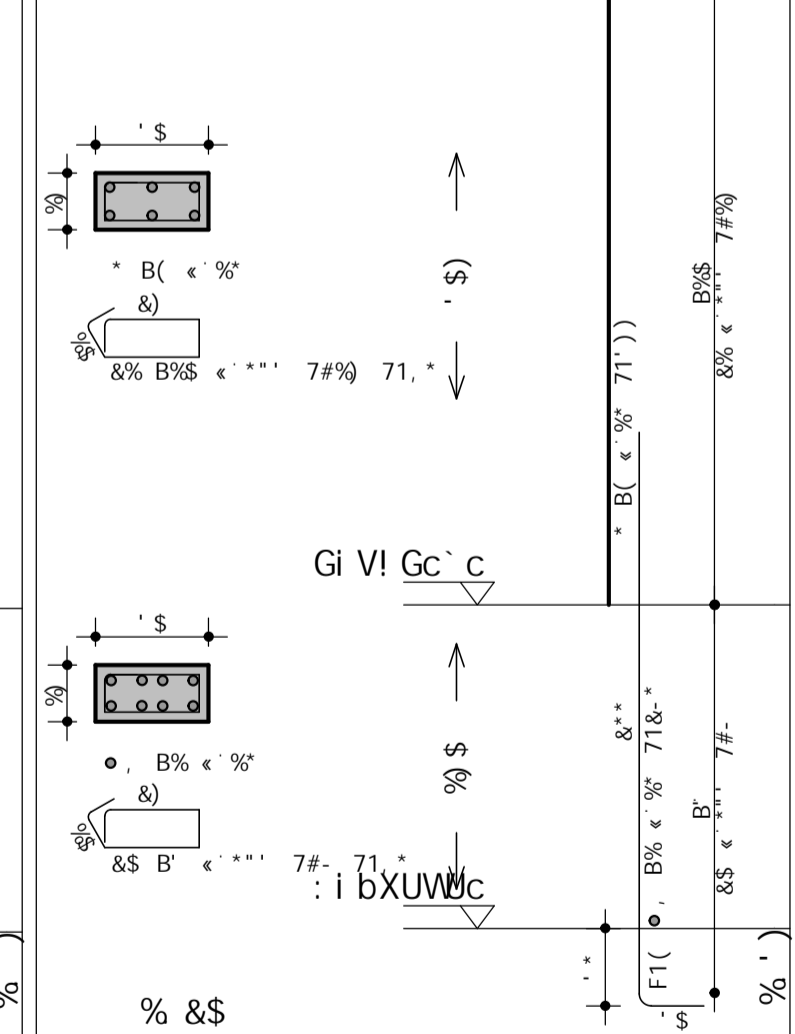
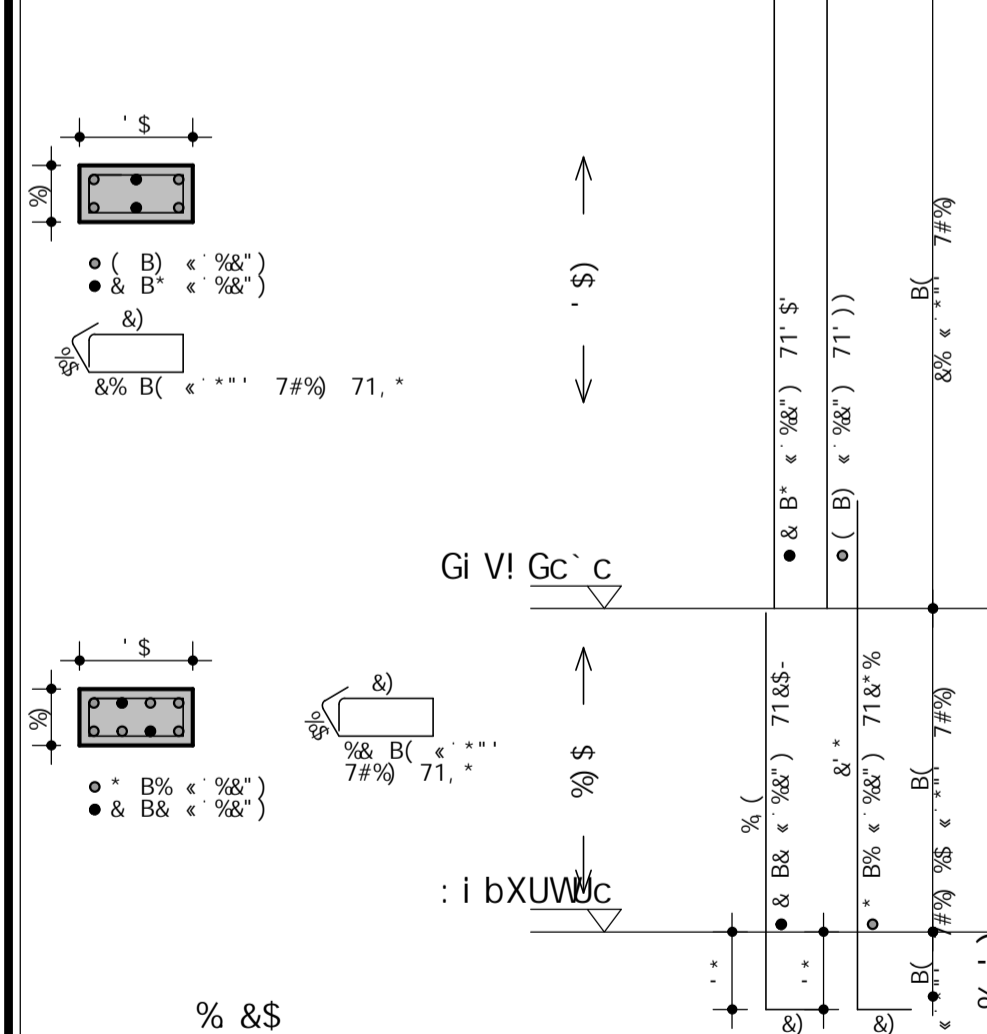
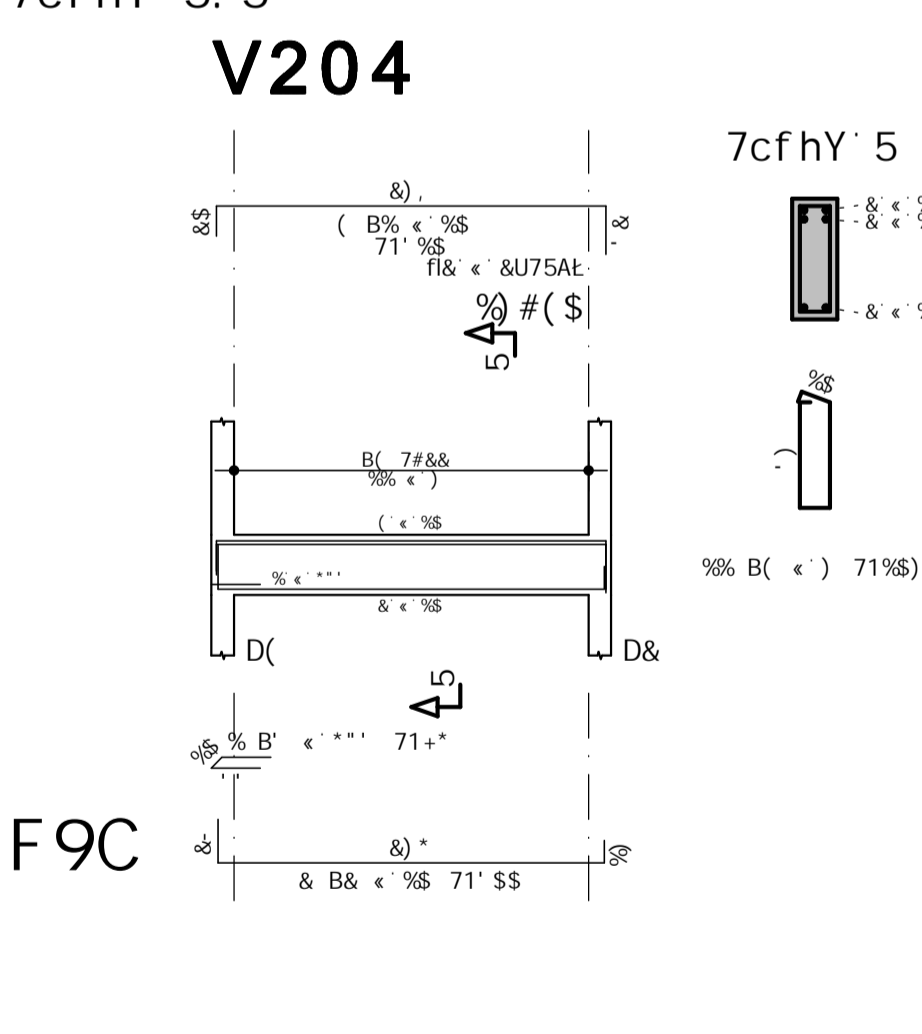
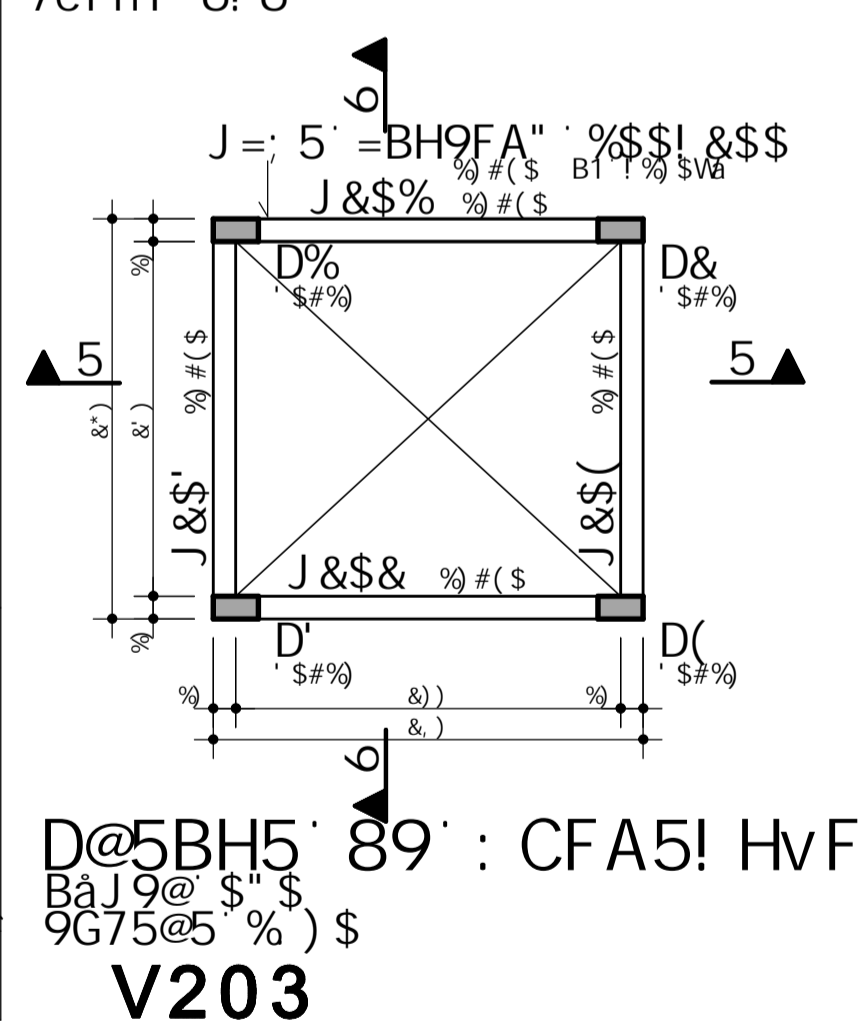
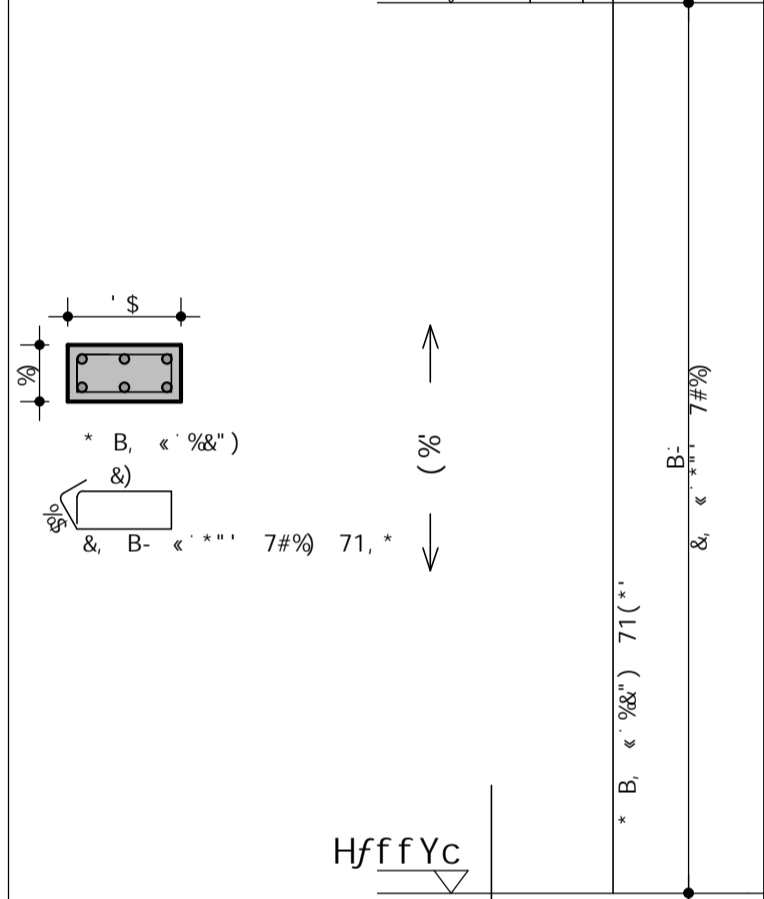
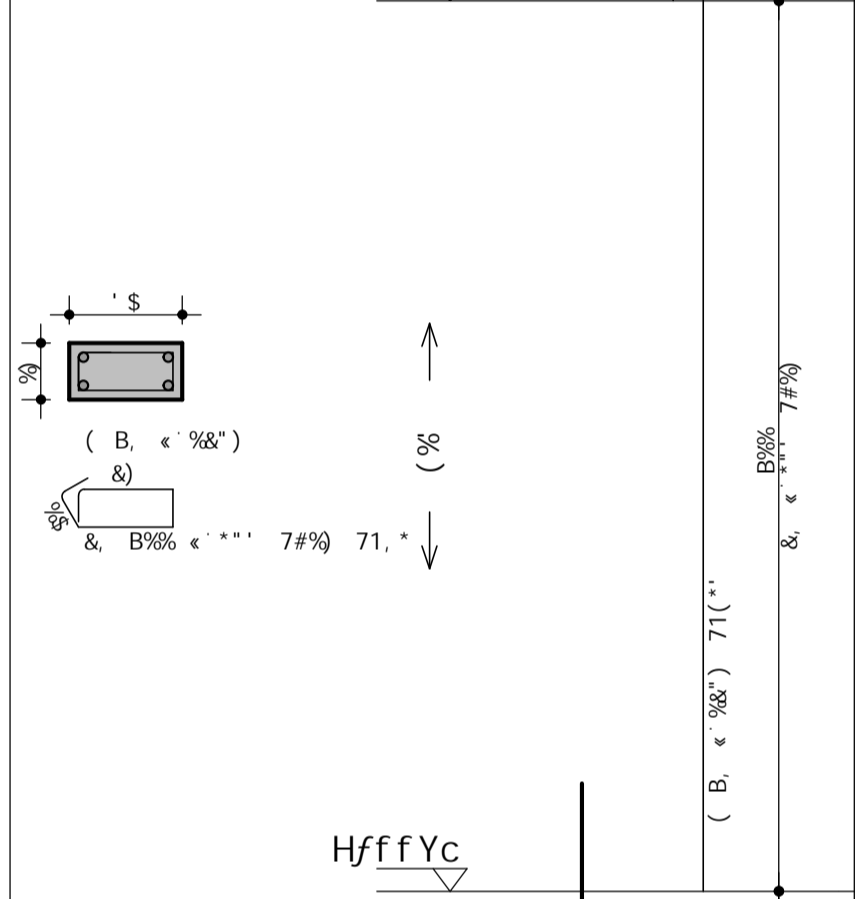
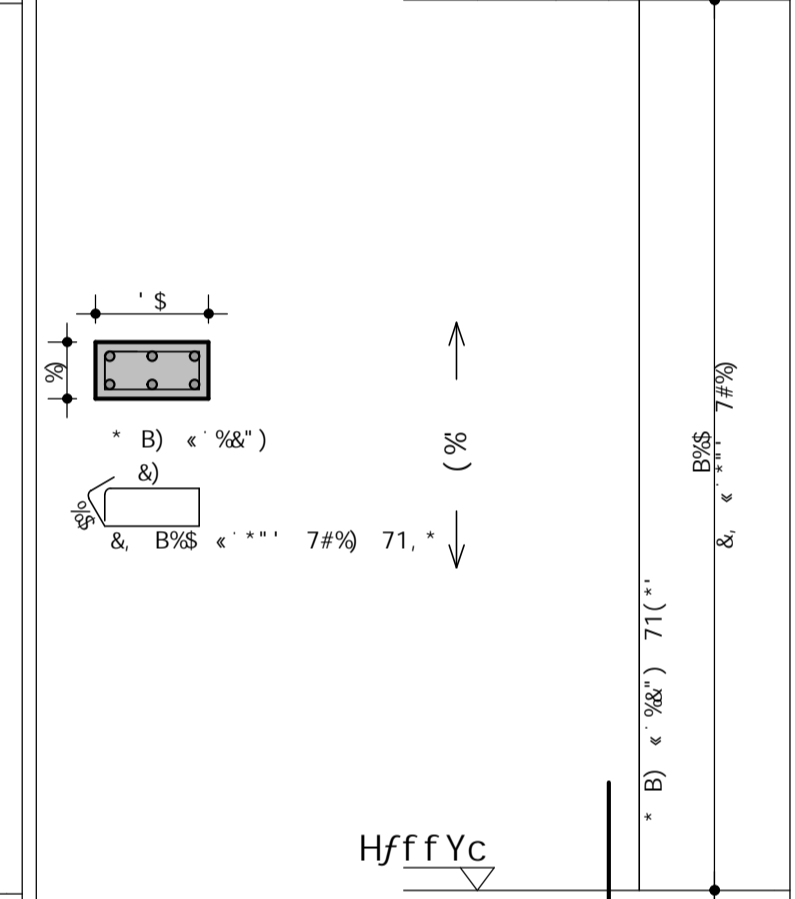
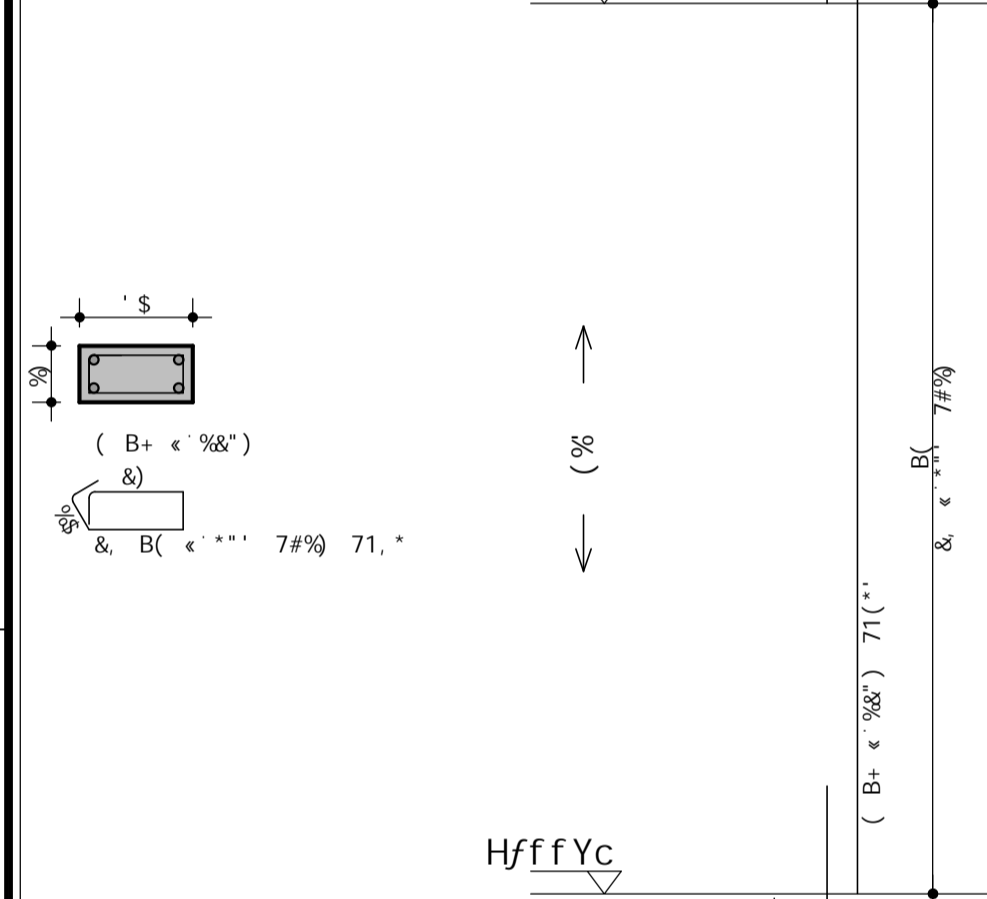
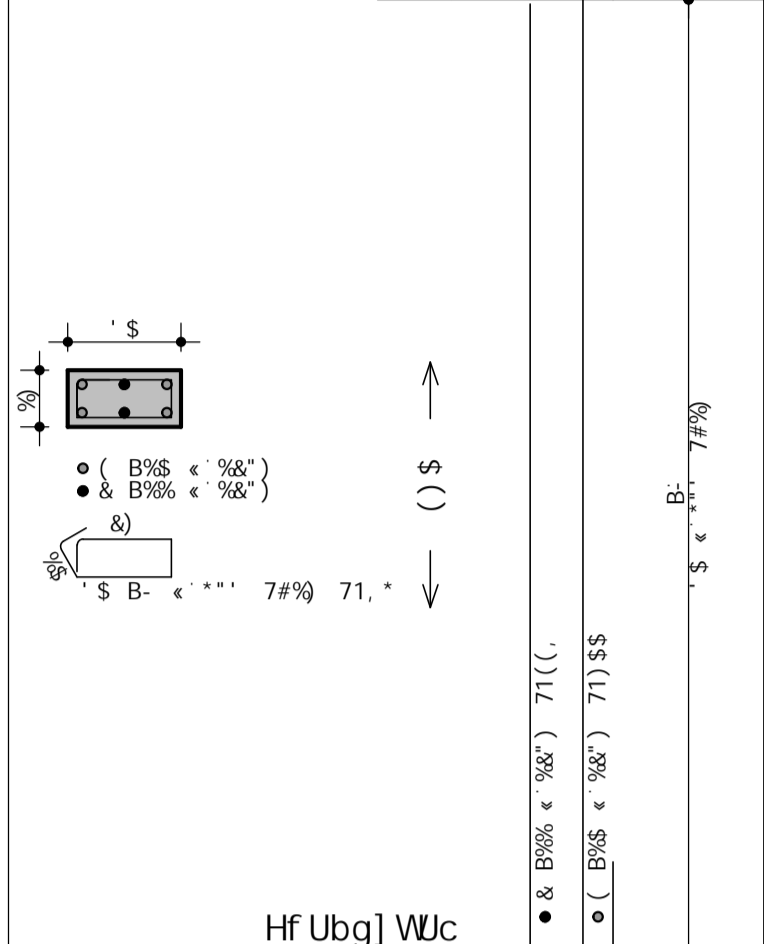
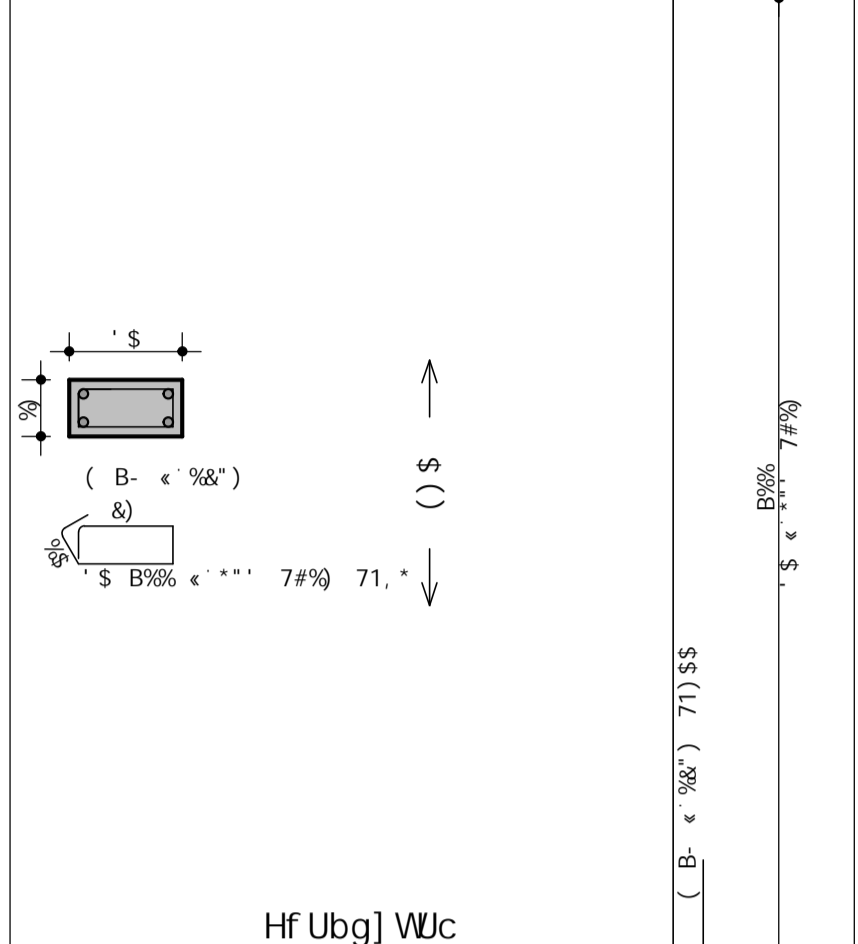
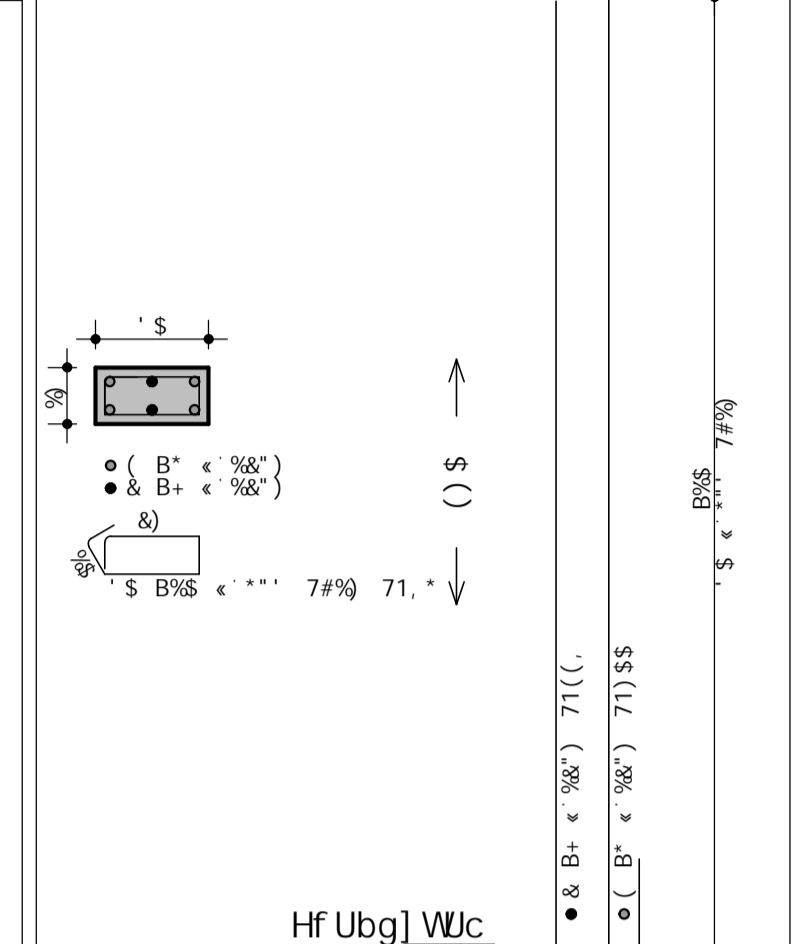
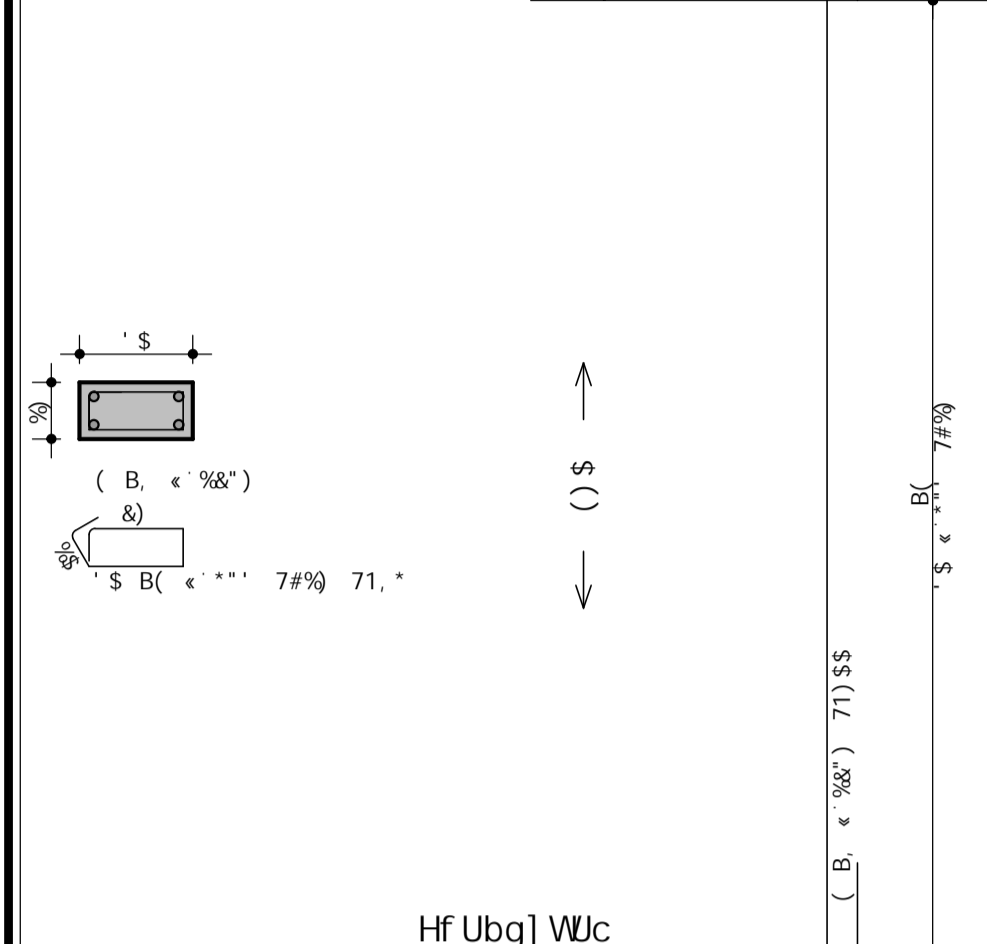


5uC	DCG	6-H	EI 5BH	7CADF=A9BHC	I B-H	HCH5@
D% @UbVWg % !)
D& @UbVWg % !)
D' @UbVWg % !)
D(@UbVWg % !)
J&S%
J&S&
J&S'
J&S(...
J= 5 =BH9FA" %S! &S\$

F9GI AC 89 5uC			
5uC	6-H	7CADF	D9GC
...
DYgc HcHU
DYgc HcHU



DF9: 9=HI F5' AI B=7=D5@ 89' 75ADCG' BCJCG' fig7

G97F9H5F=5' AI B=7=D5@ 89' HF5BGDCFH9GZ' C6F5G' 9' I F65B=GAC' 89D5FH5A9BHC' 89' 9B' 9B<5F=5

ESTRUTURAL - ELEVADOR

9GHI I HI F5@ D=8F9GZ' 7CFH9 5 5 6' 6Z' J= 5G' B&S\$ ' I' D5I' HvFF9C

A5=C#&S&' : I B85uEC' <CGD=H5@5F' 8F' >CGV' 5H-5BaN=C

5=89' GC/CW/CJG' F5: 59# AC-GvG A5B: F9B= 8-F9#CF' : 9F5# <5