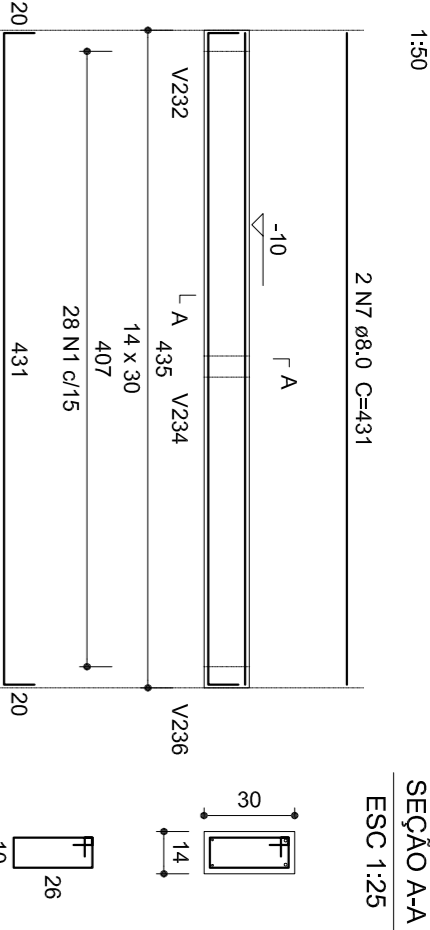
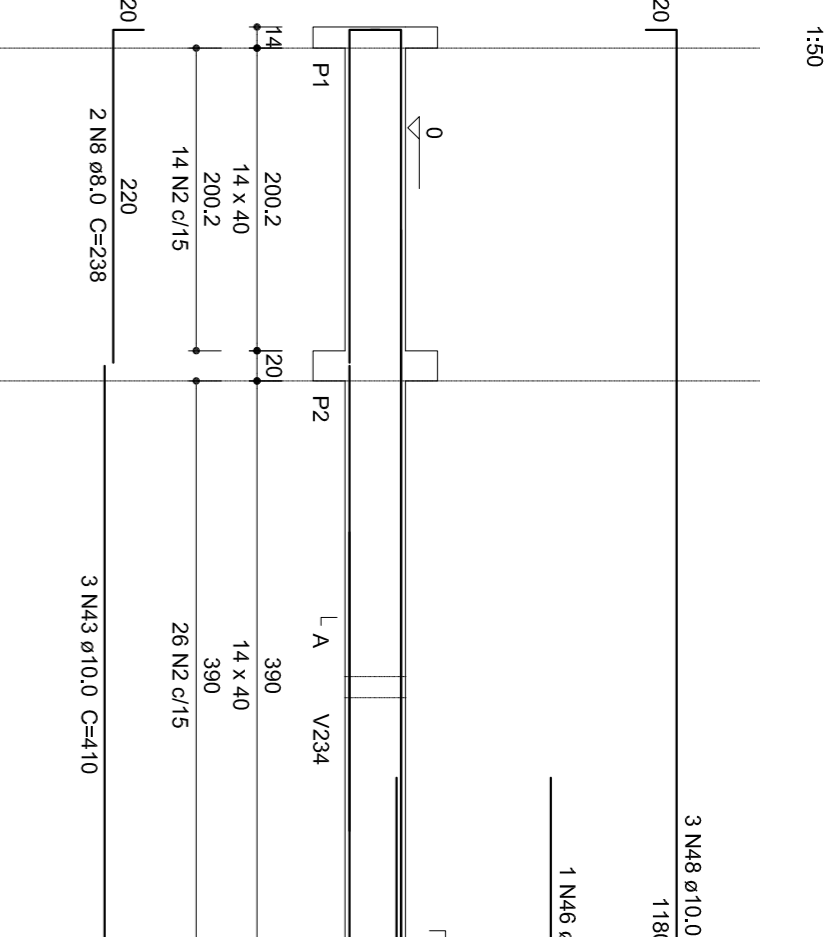


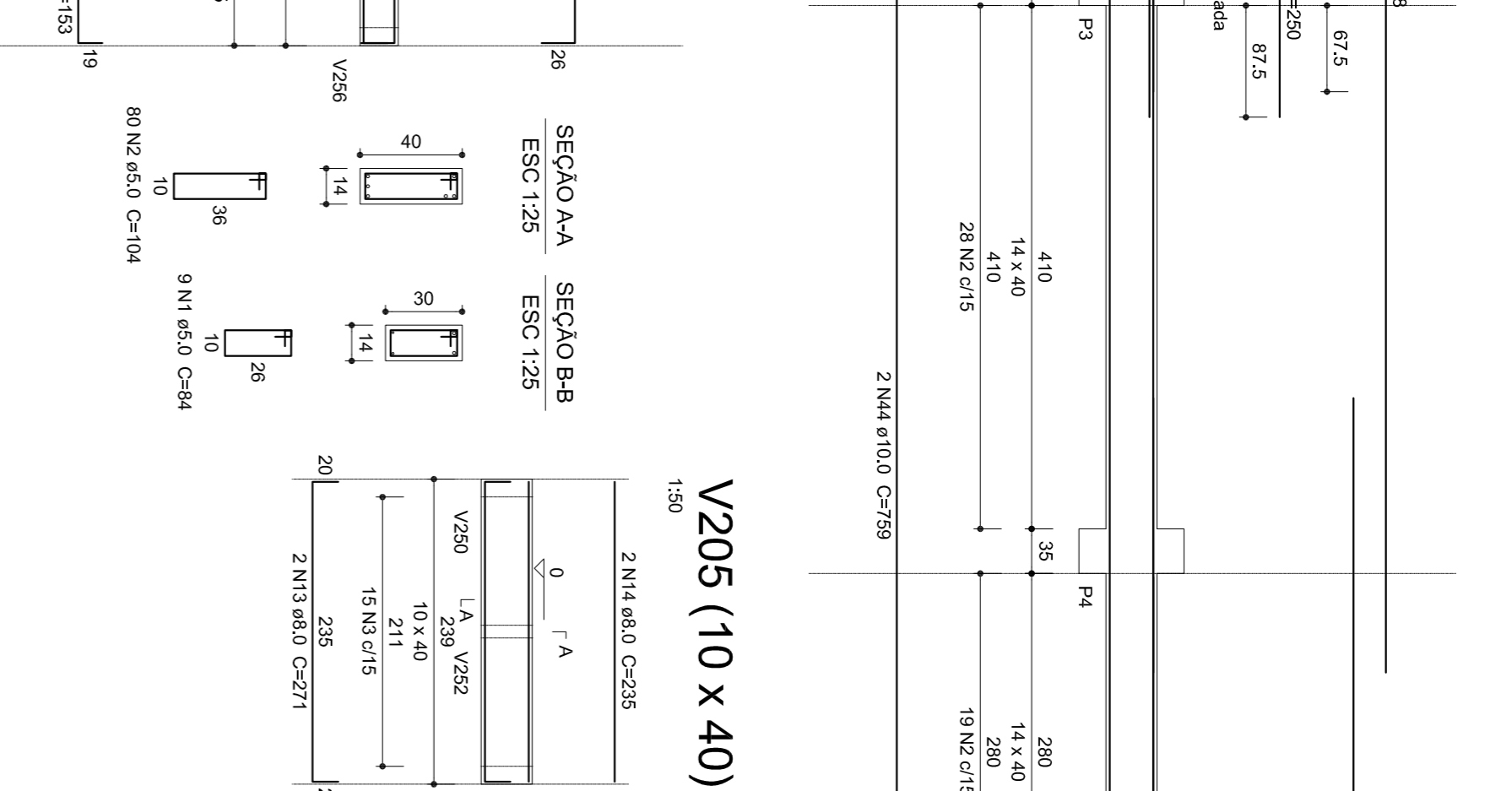
V201 (14 x 30)



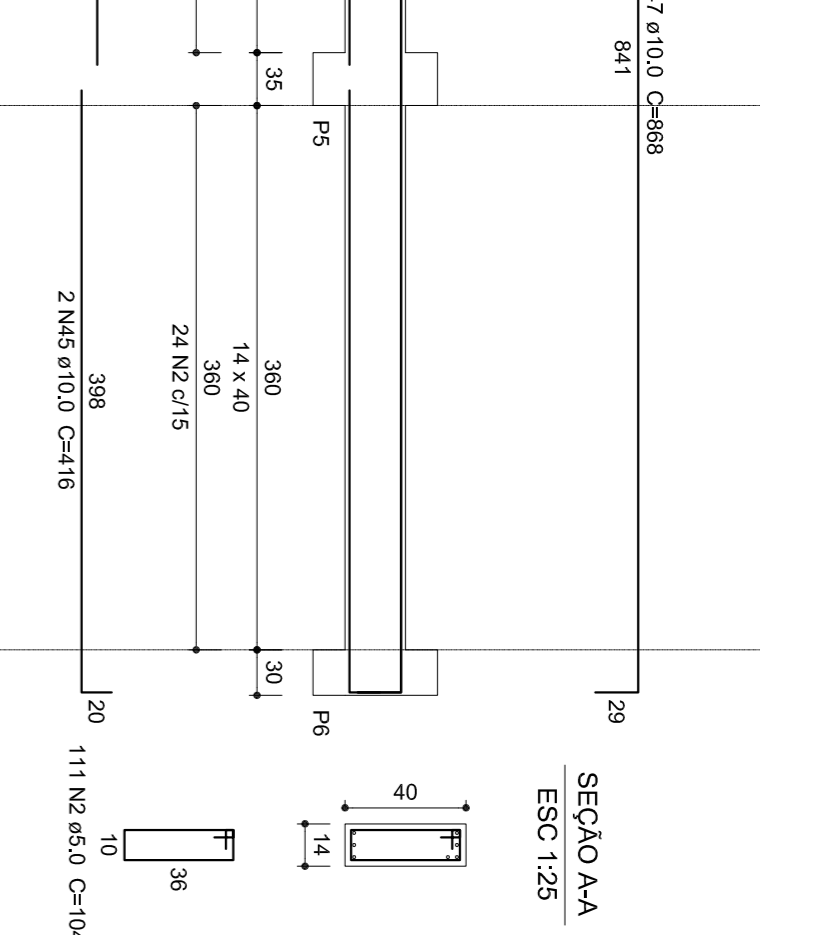
V202 (14 x 40)



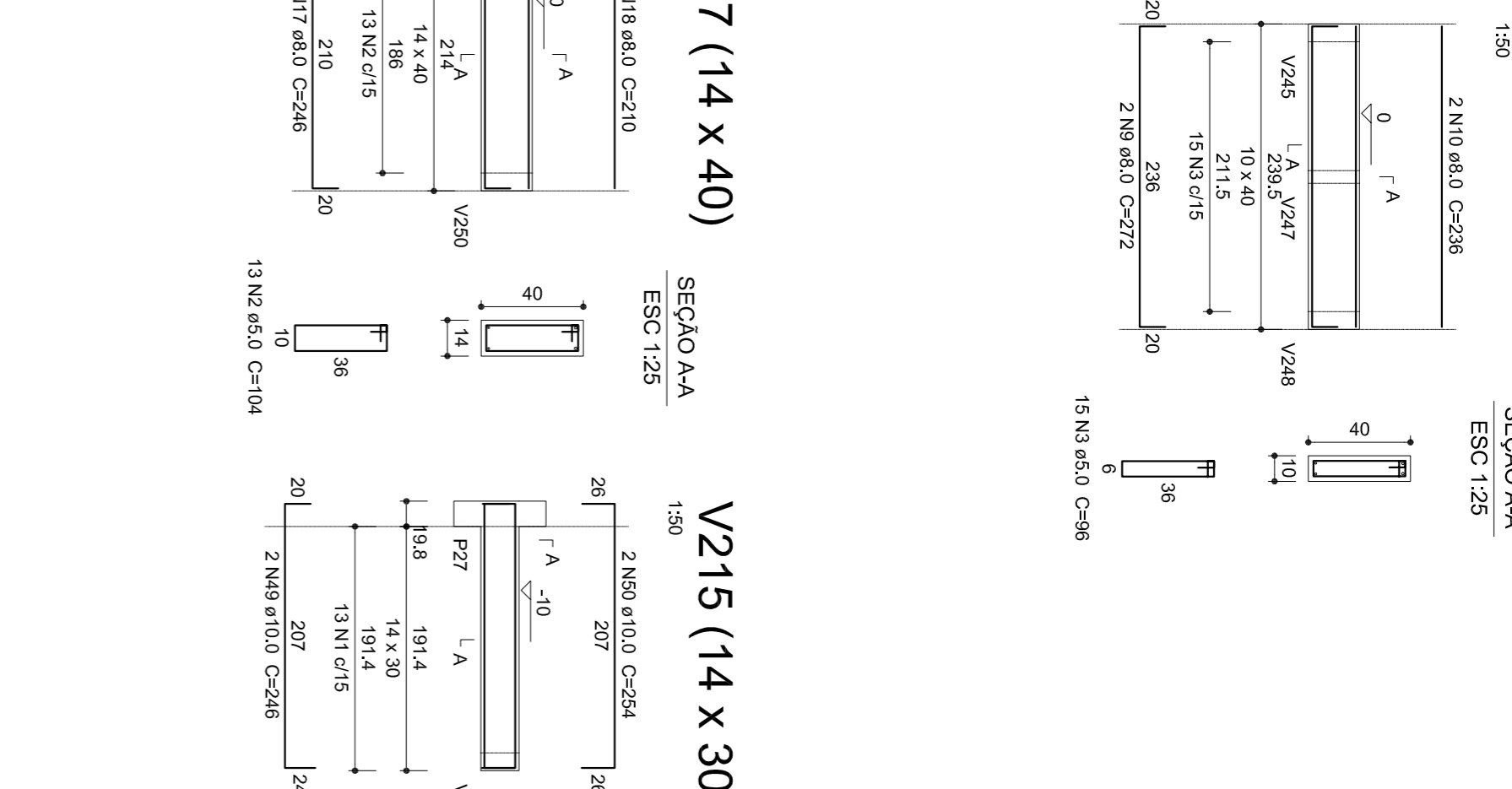
V210 (14 x 30)



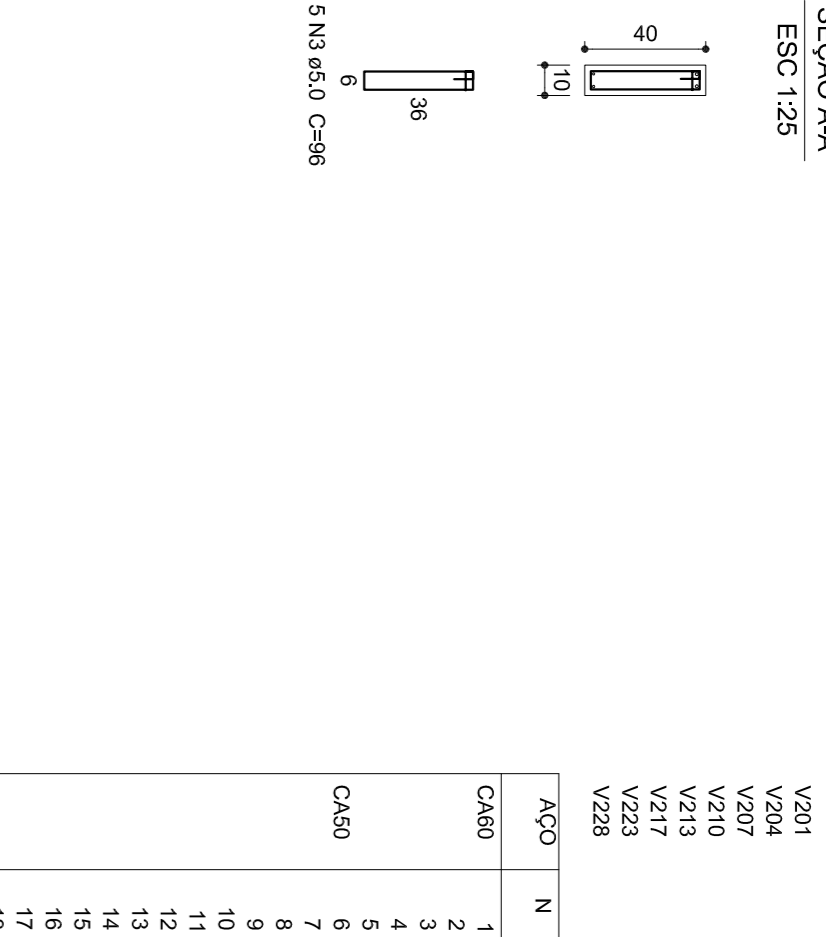
V204 (10 x 40)



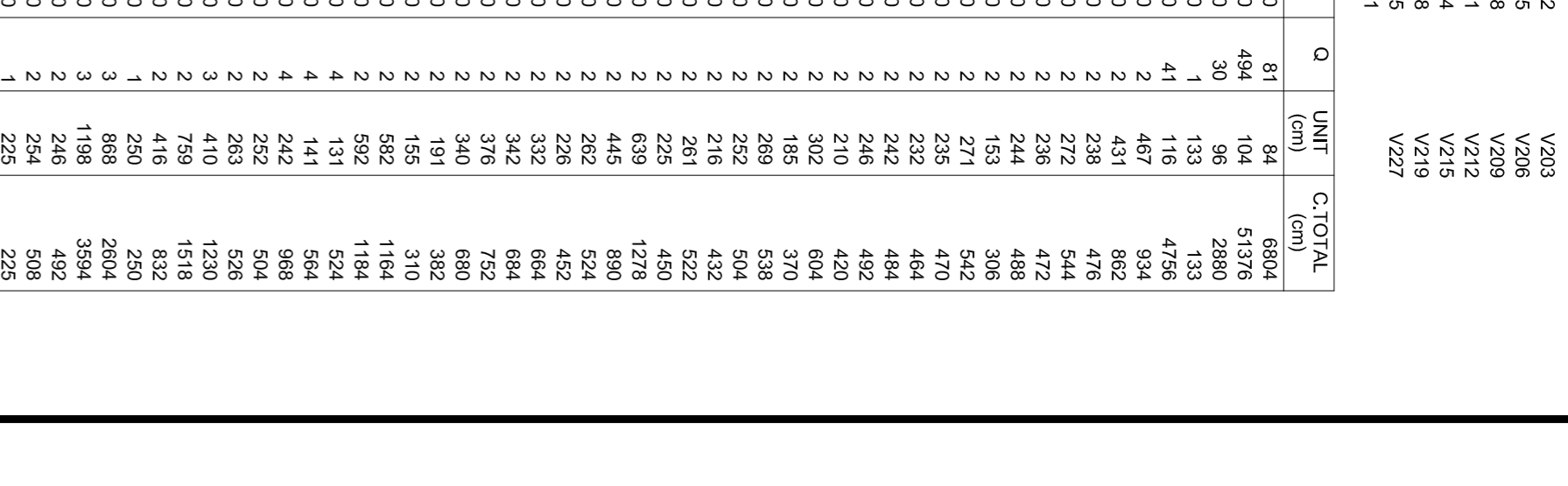
V205 (10 x 40)



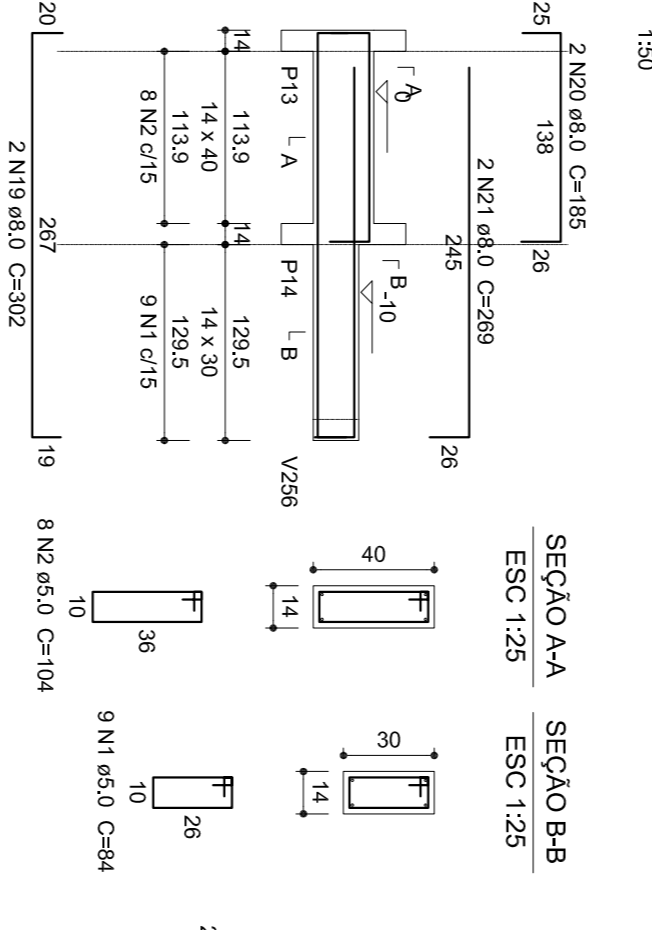
V206 (14 x 40)



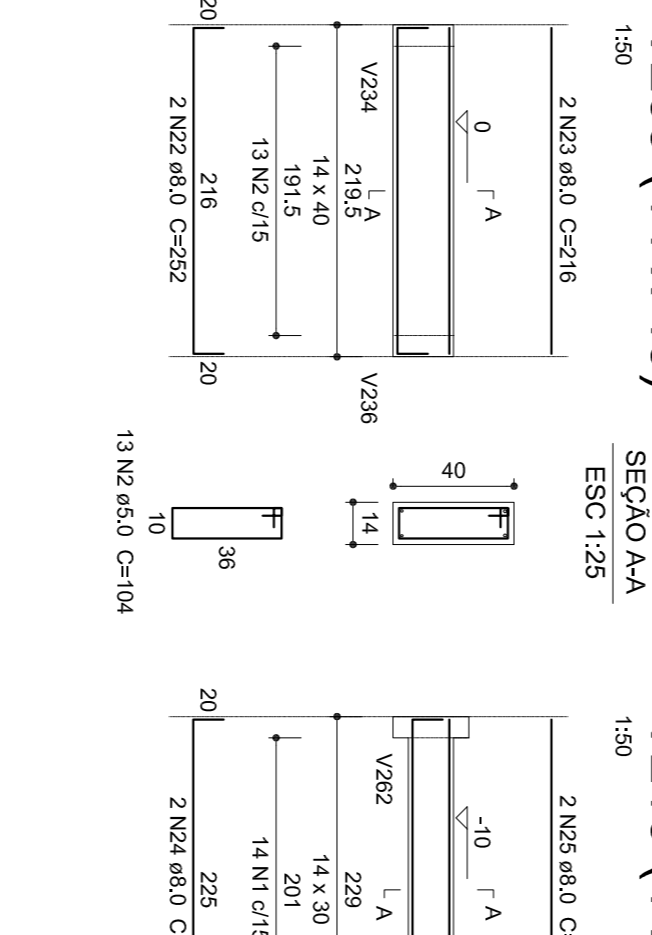
V215 (14 x 30)



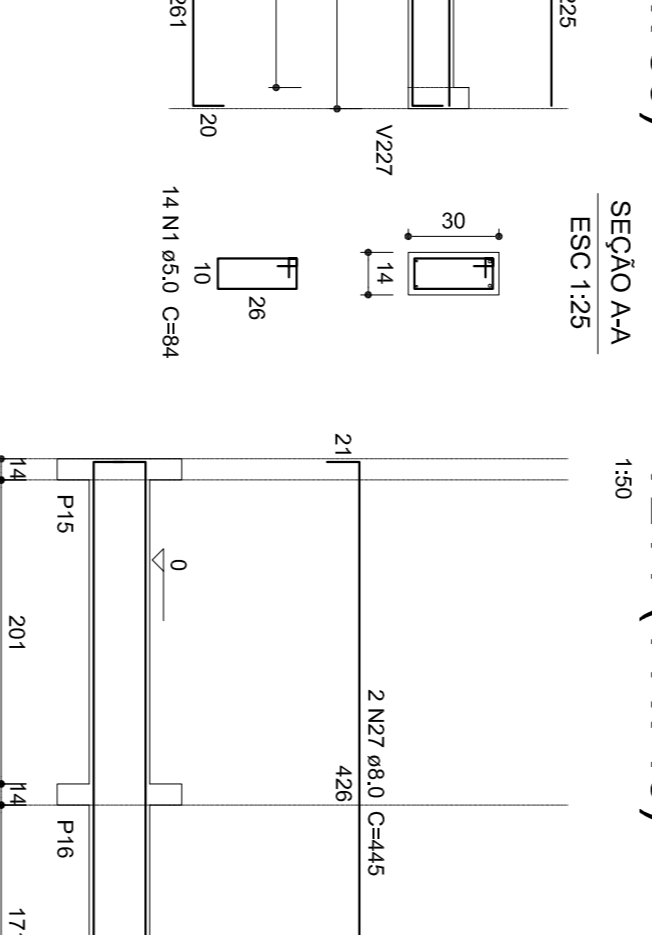
V208 (var)



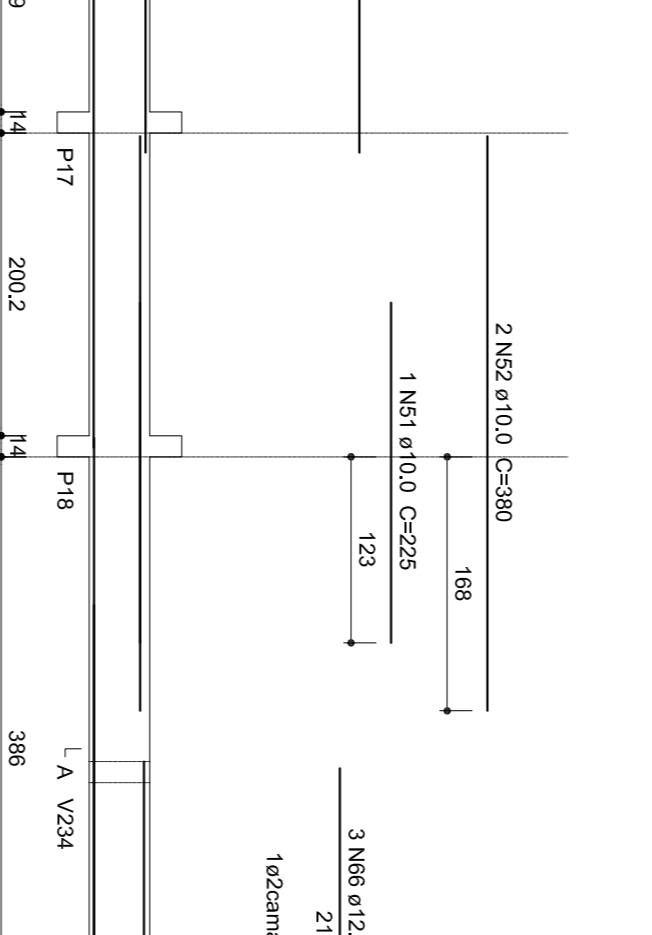
V209 (14 x 40)



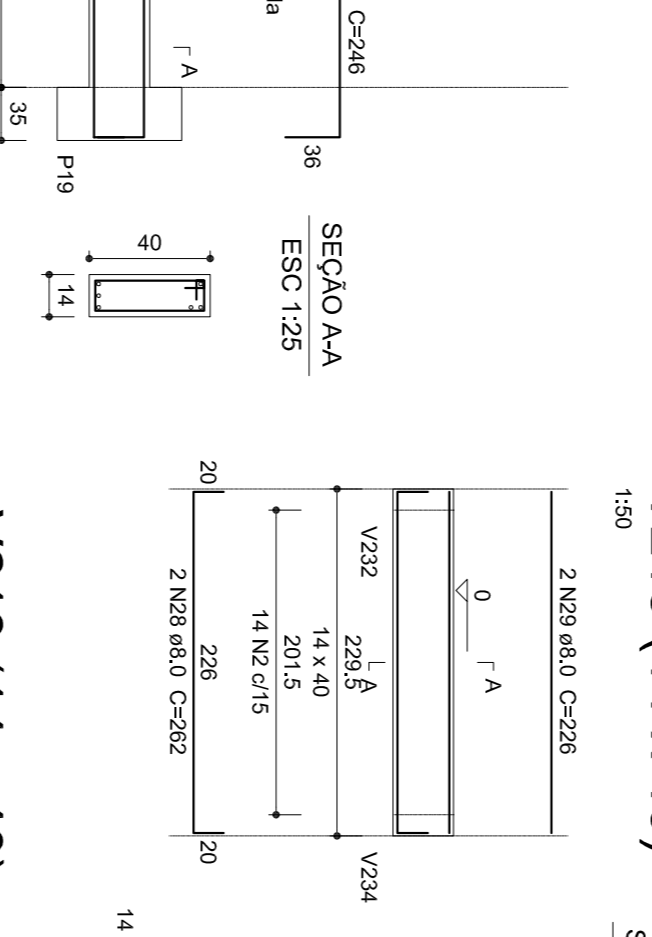
V211 (14 x 40)



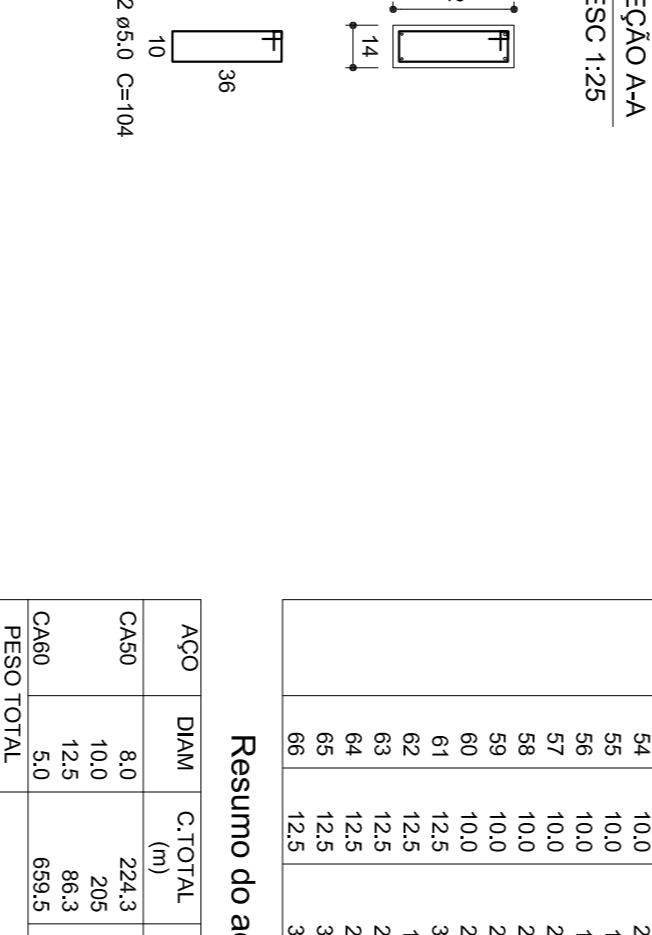
V213 (14 x 40)



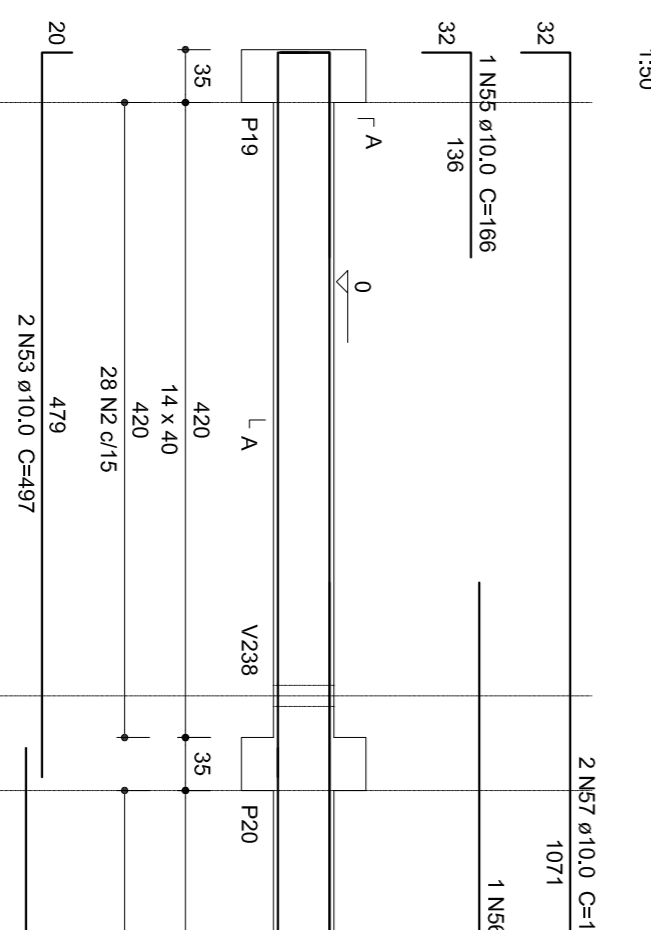
V217 (14 x 40)



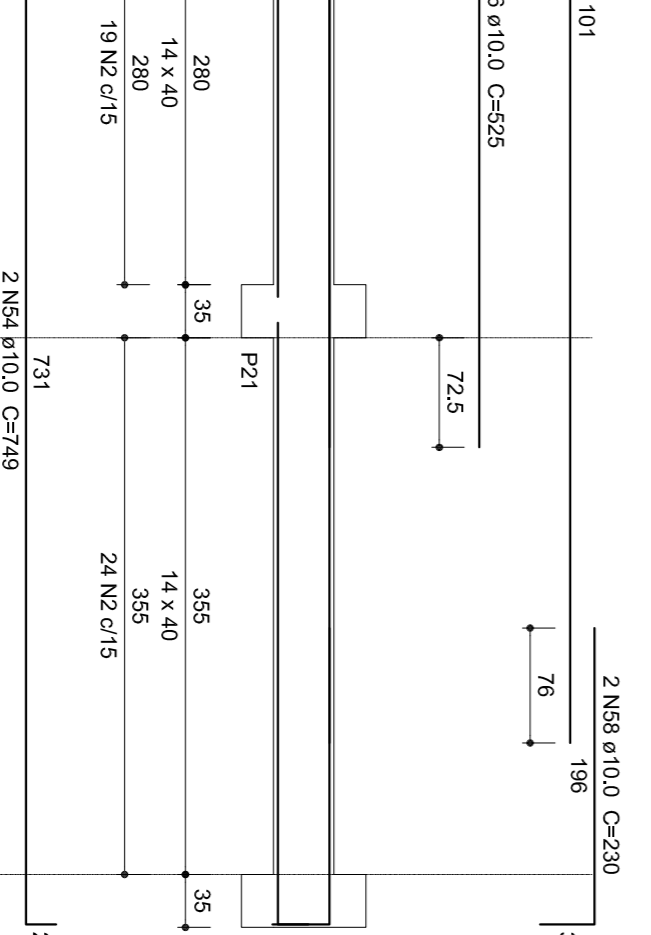
V218 (14 x 40)



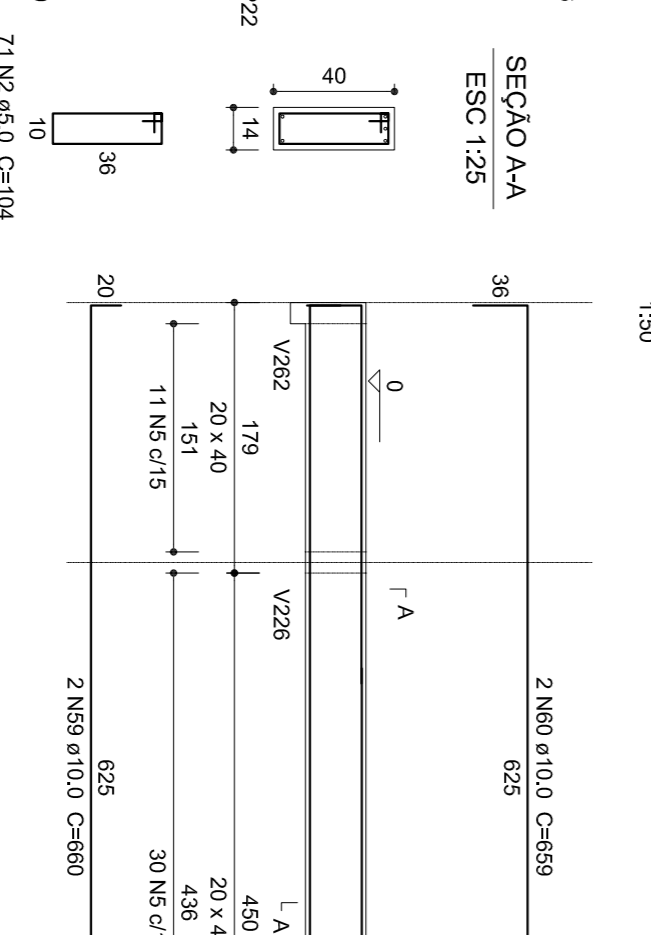
V212 (14 x 40)



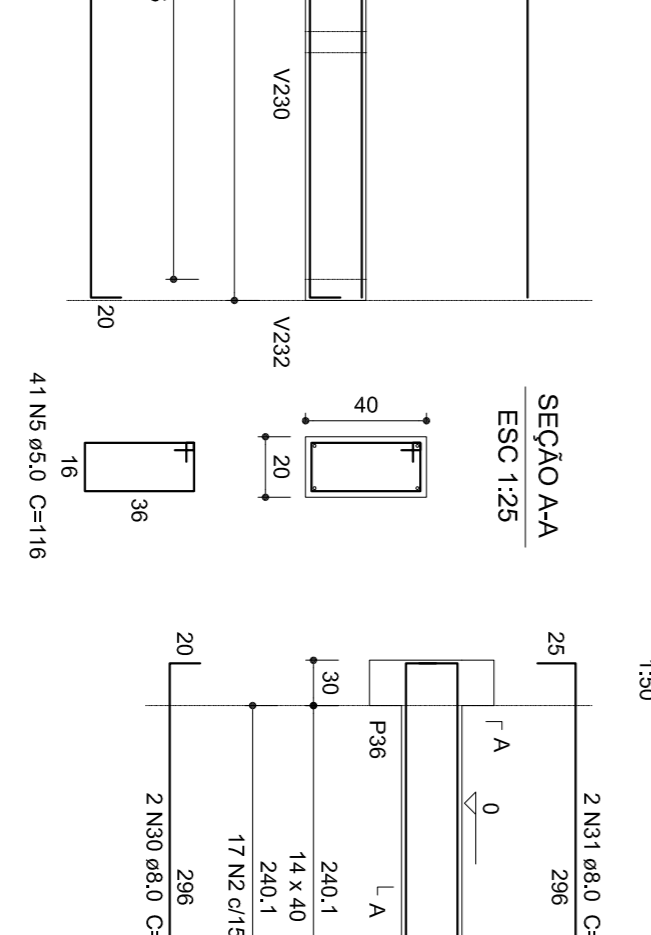
V214 (20 x 40)



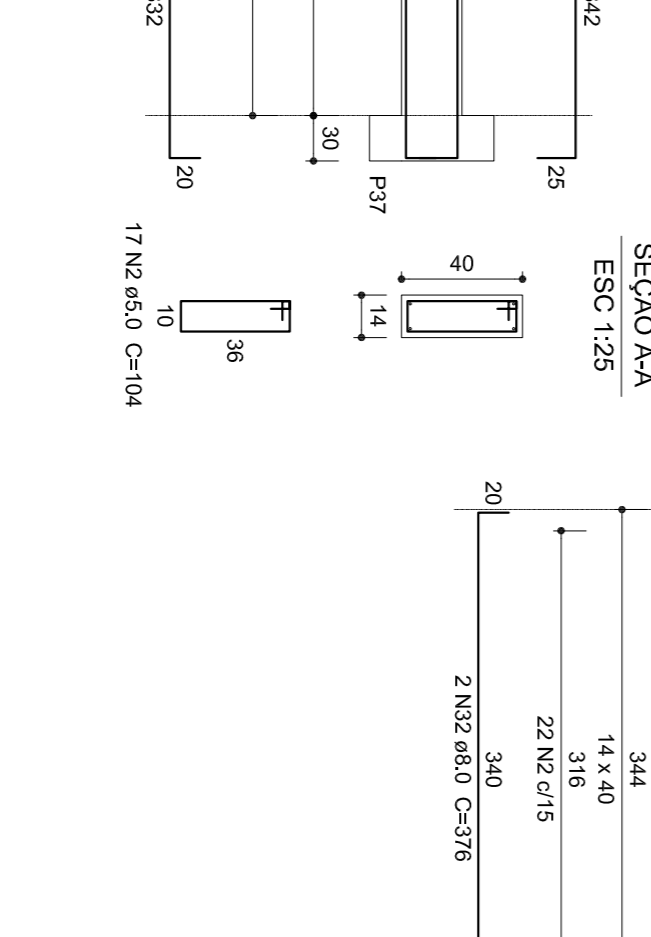
V216 (14 x 40)



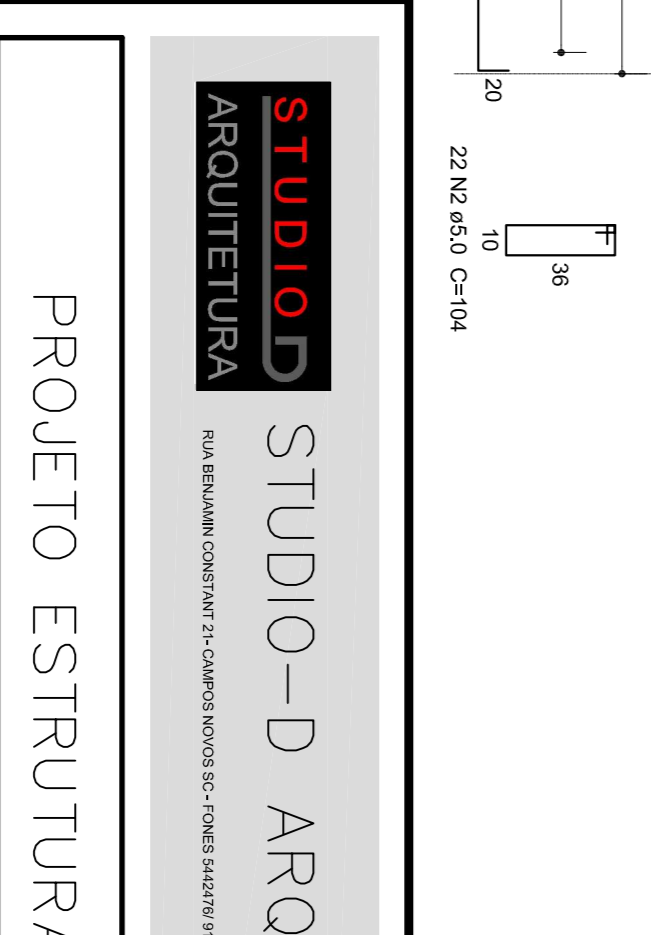
V219 (14 x 40)



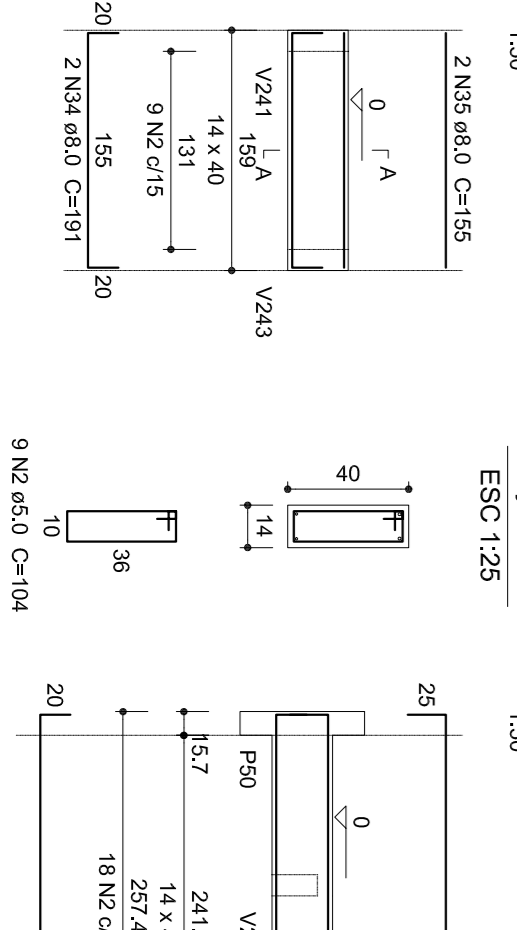
V221 (14 x 40)



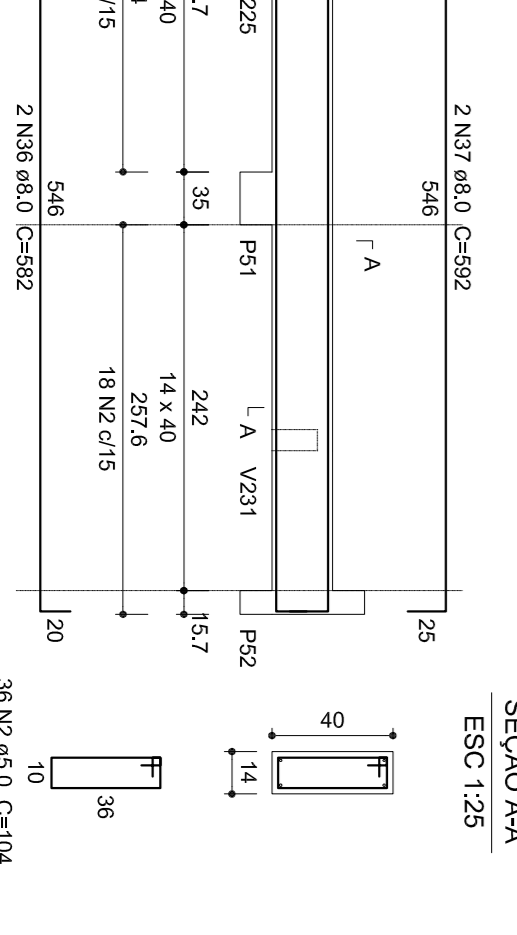
V222 (14 x 40)



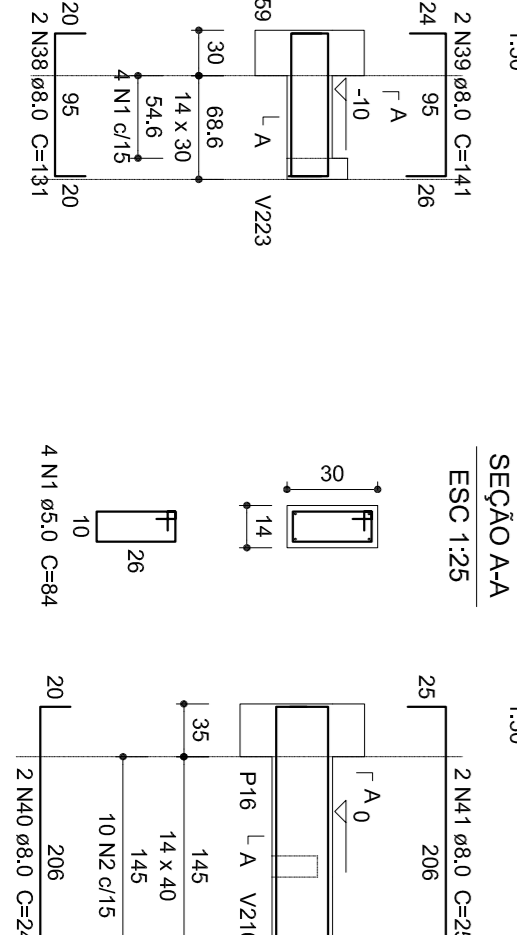
V219 (14 x 40)



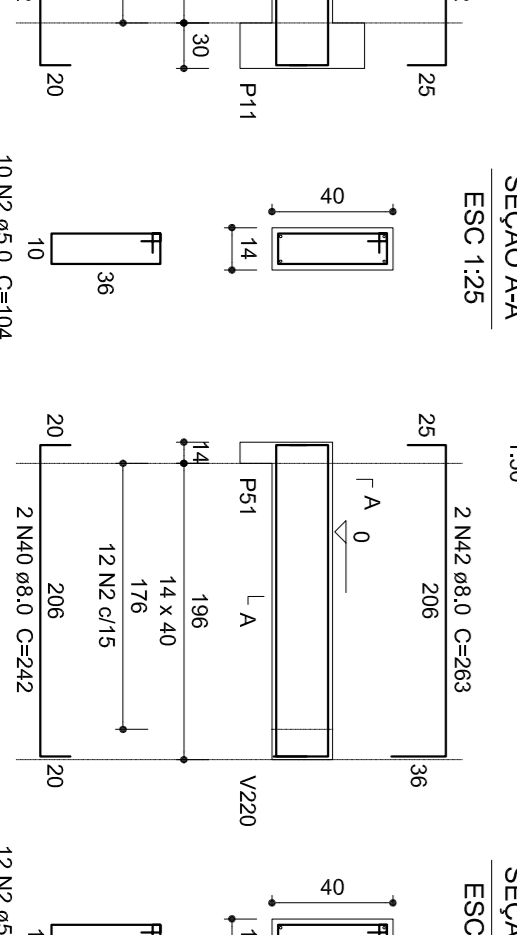
V223 (14 x 40)



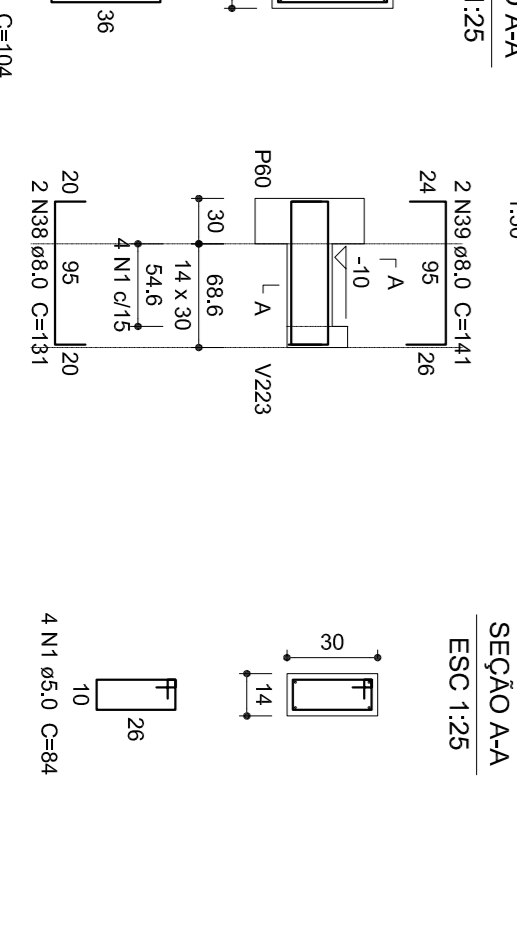
V225 (14 x 30)



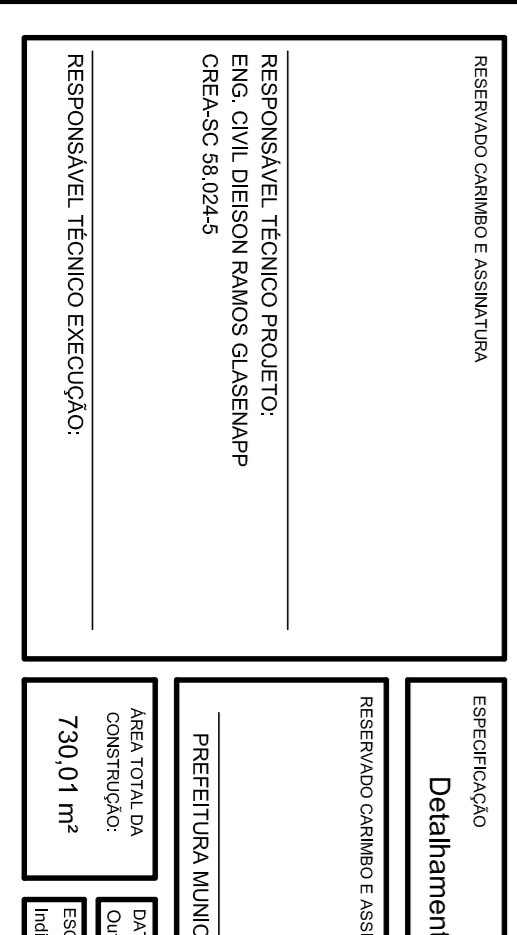
V227 (14 x 40)



V228 (14 x 40)



V231 (14 x 30)



Relação do aço

CA50	N	DM	L	Q	DM	L	C.TOTAL
		(mm)	(mm)	(mm²)	(mm)	(mm)	(mm²)
CA50	1	5,0	81	84	680,4		
	2	5,0	484	104	5137,6		
	3	4,0	30	96	2880		
	4	5,0	1	133	133		
	5	5,0	41	116	4726		
	6	8,0	2	437	874		
	7	8,0	2	238	476		
	8	8,0	2	272	544		
	9	8,0	2	236	472		
	10	8,0	2	153	306		
	11	8,0	2	224	448		
	12	8,0	2	153	306		
	13	8,0	2	224	448		
	14	8,0	2	232	464		
	15	8,0	2	232	464		
	16	8,0	2	246	492		
	17	8,0	2	246	492		
	18	8,0	2	210	420		
	19	8,0	2	302	604		
	20	8,0	2	289	578		
	21	8,0	2	252	504		
	22	8,0	2	252	504		
	23	8,0	2	216	432		
	24	8,0	2	225	450		
	25	8,0	2	225	450		
	26	8,0	2	445	890		
	27	8,0	2	282	564		
	28	8,0	2	282	564		
	29	8,0	2	226	452		
	30	8,0	2	332	664		
	31	8,0	2	342	684		
	32	8,0	2	326	652		
	33	8,0	2	191	382		
	34	8,0	2	155	310		
	35	8,0	2	191	382		
	36	8,0	2	582	1164		
	37	8,0	2	582	1164		
	38	8,0	4	131	262		
	39	8,0	4	242	484		
	40	8,0	4	242	484		
	41	8,0	2	283	566		
	42	8,0	2	283	566		
	43	10,0	3	410	1230		
	44	10,0	2	729	1518		
	45	10,0	2	230	460		
	46	10,0	2	259	518		
	47	10,0	3	868	2604		
	48	10,0	3	1198	3594		
	49	10,0	2	246	492		
	50	10,0	2	254	508		
	51	10,0	1	225	225		
	52	10,0	2	487	974		
	53	10,0	2	749	1498		
	54	10,0	2	749	1498		
	55	10,0	1	186	186		
	56	10,0	1	525	525		
	57	10,0	2	1101	2202		
	58	10,0	2	230	460		
	59	10,0	2	230	460		
	60	10,0	2	659	1318		
	61	12,5	3	953	2859		
	62	12,5	2	658	658		
	63	12,5	2	1221	2442		
	64	12,5	2	246	492		
	65	12,5	2	246	492		
	66	12,5	3	246	738		

Resumo do aço

CA50	DM	C.TOTAL	PESO % 10%
CA50	8,0	223,3	97,3
CA50	10,0	205	139
CA50	12,5	88,3	91,4
CA50	5,0	693,5	111,8
PESO TOTAL			
CA50		277,8	
CA50		111,8	

Vol. de concreto total (C-25) = 5,75 m³
 Área de forma total = 95,95 m²

STUDIO-D ARQUITETURA

RUA BELMIRAN CORREIA 71 - CAMPOS NOVOS - CEP: 13085-110 - SÃO CARLOS - SP

PROJETO ESTRUTURAL

EMPRESA: Av. Catarina Beltracchia Neto esq. com a Rua Vergílio Antunes

RESERVADO DIBRANHO E ASSINATURA

RESPONSÁVEL TÉCNICO PROJETO: ENG. CIVIL DIERSON RAUOS GLASVAPP CREA-SP: 80204-3

RESPONSÁVEL TÉCNICO EXECUÇÃO: RESERVADO DIBRANHO E ASSINATURA

DATA: Outubro 2011

ARQUITETO: ESCALA: 1:50

FRANQUIA: 01/04